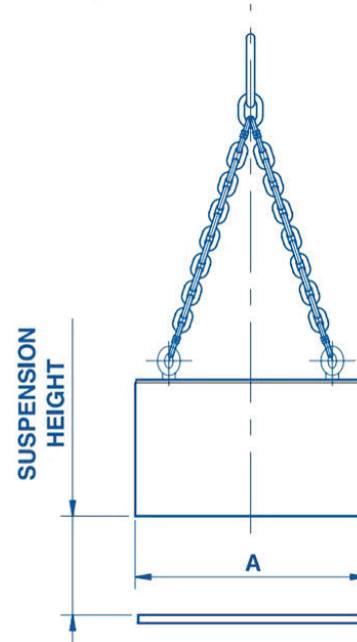
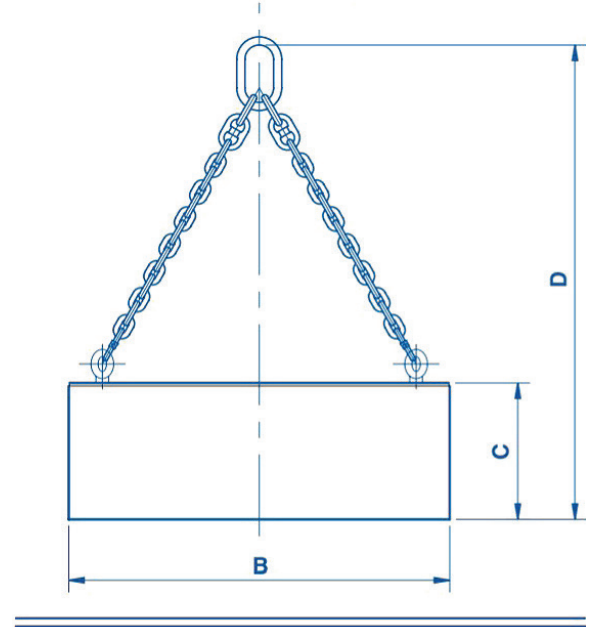


STEARNS PERMANENT SUSPENDED MAGNET



TECHNICAL SPECIFICATIONS

MODEL	DIMENSIONS (INCHES)				APPROX. WT. (LBS.)
	A	B	C	D	
18-720P	18.75	25.38	9.50	38	900
24-720P	24.75	25.38	9.50	38	1,250
30-720P	30.75	25.38	9.50	38	1,600
36-720P	36.75	25.38	9.50	38	2,000
18-900P	18.75	31.50	11.75	45	1,300
24-900P	24.75	31.50	11.75	45	1,700
30-900P	30.75	31.50	11.75	45	2,200
36-900P	36.75	31.50	11.75	45	2,700
18-1170P	18.75	39.88	14.00	54	2,100
24-1170P	24.75	39.88	14.00	54	2,800
30-1170P	30.75	39.88	14.00	54	3,500
36-1170P	36.75	39.88	14.00	54	4,500
42-1170P	42.75	39.88	14.00	54	5,400
48-1170P	48.75	39.88	14.00	54	6,600
18-1350P	18.75	46.88	16.50	61	2,700
24-1350P	24.75	46.88	16.50	61	3,200
30-1350P	30.75	46.88	16.50	61	4,000
36-1350P	36.75	46.88	16.50	61	5,100
42-1350P	42.75	46.88	16.50	61	6,200
48-1350P	48.75	46.88	16.50	61	7,000



OHIO MAGNETICS, INC.
 5400 DUNHAM RD | MAPLE HEIGHTS, OH | 44317-3687
 TEL: (216) 662-8484 | sales@ohiomagnetics.com
 © 2022 OHIO MAGNETICS, INC.

Made in U.S.A.



www.ohiomagnetics.com

A WORLD LEADER IN LIFTING MAGNET SYSTEMS AND MAGNETIC SEPARATION EQUIPMENT