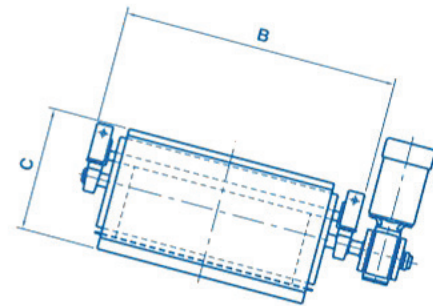
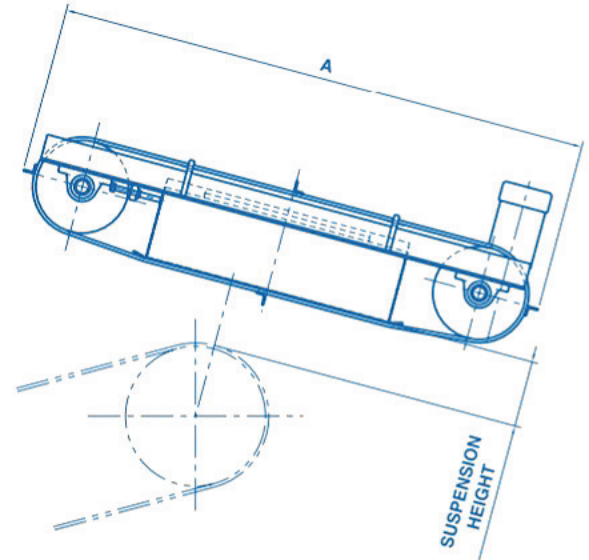


STEARNS PERMANENT IN-LINE SEPARATOR



TECHNICAL SPECIFICATIONS

MODEL	DIMENSIONS (INCHES)			BELT WIDTH (IN.)	DRIVE, HP	APPROX. WT. (LBS.)
	A	B	C			
18-720P	63.00	35.00	15.00	24.00	1.00	1,700
24-720P	63.00	41.00	15.00	30.00	1.50	1,800
30-720P	63.00	47.00	15.00	36.00	1.50	2,000
36-720P	63.00	53.00	15.00	42.00	1.50	2,200
18-900P	72.50	33.50	19.00	24.00	1.00	2,100
24-900P	72.50	39.50	19.00	30.00	1.00	2,500
30-900P	72.50	45.50	19.00	36.00	1.50	2,900
36-900P	72.50	51.50	19.00	42.00	1.50	3,500
18-1170P	89.00	36.00	20.00	24.00	2.00	3,200
24-1170P	89.00	42.00	20.00	30.00	2.00	4,100
30-1170P	89.00	48.00	20.00	36.00	2.00	5,000
36-1170P	89.00	54.00	20.00	42.00	2.00	5,700
42-1170P	89.00	60.00	20.00	48.00	2.00	6,600
48-1170P	89.00	66.00	20.00	54.00	2.00	7,500
18-1350P	99.00	37.00	22.00	24.00	3.00	4,000
24-1350P	99.00	43.00	22.00	30.00	3.00	5,000
30-1350P	99.00	49.00	22.00	36.00	3.00	6,000
36-1350P	99.00	55.00	22.00	42.00	3.00	7,100
42-1350P	99.00	61.00	22.00	48.00	3.00	8,000
48-1350P	99.00	67.00	22.00	54.00	3.00	9,000



OHIO MAGNETICS, INC.
 5400 DUNHAM RD | MAPLE HEIGHTS, OH | 44317-3687
 TEL: (216) 662-8484 | sales@ohiomagnetics.com
 © 2022 OHIO MAGNETICS, INC.

Made in U.S.A.



www.ohiomagnetics.com

A WORLD LEADER IN LIFTING MAGNET SYSTEMS AND MAGNETIC SEPARATION EQUIPMENT