

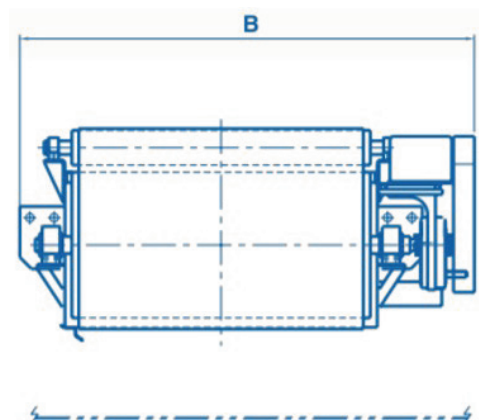
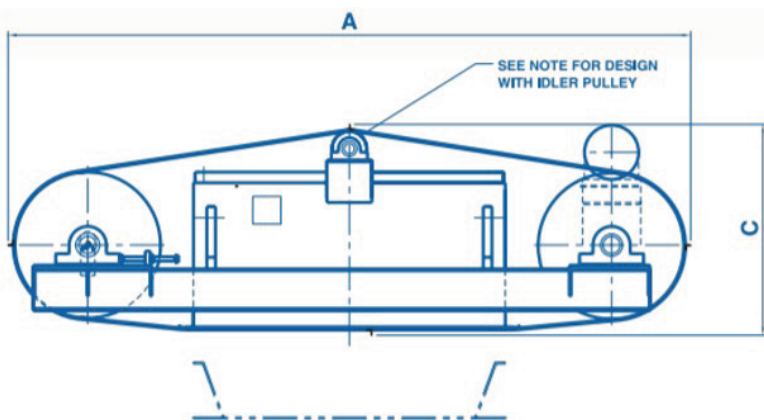
# STEARNS 2 PULLEY ELECTROMAGNETIC CROSS-BELT SEPARATOR



## TECHNICAL SPECIFICATIONS

| MODEL  | DIMENSIONS (INCHES) |        |       | STANDARD VOLTS DC | APPROX. WATTS | BELT WIDTH (IN.) | DRIVE H.P. | APPROX. WT. (LBS.) |
|--------|---------------------|--------|-------|-------------------|---------------|------------------|------------|--------------------|
|        | A                   | B      | C     |                   |               |                  |            |                    |
| 25A    | 86.5                | 58.25  | 31.50 | 115               | 2,320         | 30               | 2.0        | 3,100              |
| 30A    | 91.0                | 59.50  | 31.50 | 115               | 2,752         | 30               | 2.0        | 3,900              |
| 36A    | 92.0                | 63.50  | 25.75 | 115               | 4,290         | 32               | 3.0        | 4,100              |
| 38A    | 109.0               | 70.00  | 34.50 | 115               | 4,120         | 36               | 3.0        | 5,400              |
| 43A    | 115.0               | 73.00  | 36.00 | 115               | 5,060         | 42               | 3.0        | 8,300              |
| 48/54M | 120.0               | 85.00  | 36.00 | 115               | 6,200         | 42               | 5.0        | 9,700              |
| 48A    | 120.0               | 85.00  | 38.00 | 115               | 6,200         | 48               | 5.0        | 9,900              |
| 54A    | 142.0               | 91.50  | 39.50 | 230               | 7,560         | 54               | 5.0        | 12,700             |
| 61A    | 138.0               | 98.00  | 36.00 | 230               | 9,260         | 60               | 5.0        | 15,850             |
| 68A    | 156.0               | 110.00 | 39.50 | 230               | 11,200        | 70               | 7.5        | 22,800             |
| *72A   | 184.0               | 118.00 | 62.00 | 230               | 14,000        | 72               | 10.0       | 31,800             |
| *80A   | 192.0               | 126.00 | 56.00 | 230               | 15,900        | 78               | 10.0       | 37,800             |
| *90A   | 200.0               | 135.00 | 59.00 | 230               | 20,000        | 82               | 20.0       | 48,200             |

1) Models with \* are three (3) pulley design



OHIO MAGNETICS, INC.  
 5400 DUNHAM RD | MAPLE HEIGHTS, OH | 44317-3687  
 TEL: (216) 662-8484 | sales@ohiomagnetics.com  
 © 2022 OHIO MAGNETICS, INC.

Made in U.S.A.



www.ohiomagnetics.com

A WORLD LEADER IN LIFTING MAGNET SYSTEMS AND MAGNETIC SEPARATION EQUIPMENT