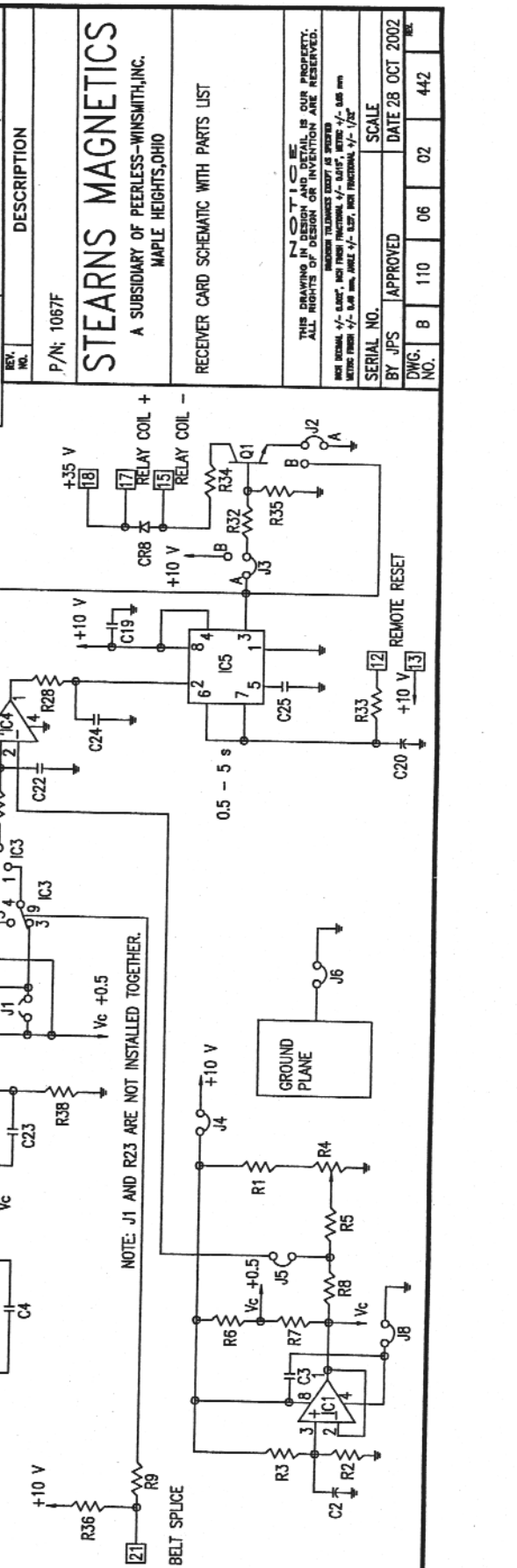


PART	DESCRIPTION	PART	DESCRIPTION
R1 - R16	RESISTOR: 470 Ω; 5%; 250 mW	C1	CAPACITOR: 100 pF; 1 kV
R2, R3, R29	RESISTOR: 100 kΩ; 5%; 250 mW	C2	CAPACITOR: 22 μF; 50 V; ELECTROLYTIC
R4	POTENTIOMETER: 1 kΩ; 22 TURN; BOURNRS	C3, 10, 16, 21, 25, 27	CAPACITOR: 100 nF; 25 V-45V
R5, 12, 32	RESISTOR: 2 kΩ; 5%; 250 mW	C4	CAPACITOR: 1.5 nF; 100 V
R6	RESISTOR: 5.1 kΩ; 5%; 250 mW	C5 & C6	CAPACITOR: 10 μF; 16 V; ELECTROLYTIC
R7 & R8	RESISTOR: 51 Ω; 5%; 250 mW	C7 & C11	CAPACITOR: 33 nF; 100 V
R9	RESISTOR: 390 Ω; 5%; 250 mW	C8	CAPACITOR: 68 pF; 1 kV
R10 & R36	RESISTOR: 1 kΩ; 5%; 250 mW	C9	CAPACITOR: 500 pF; 1 kV
R11	RESISTOR: 10 MΩ; 5%; 250 mW	C12 & C13	CAPACITOR: 100 μF; 10 V; LOW LEAK
R14, R15, 17, 21	RESISTOR: 47 kΩ; 5%; 250 mW	C14	CAPACITOR: 10 μF; 16 V
R18	RESISTOR: 68 kΩ; 5%; 250 mW	C15	CAPACITOR: 2.2 nF; 100 V
R20	RESISTOR: 620 Ω; 5%; 250 mW	C17	CAPACITOR: 4.7 μF; 35 V
R22	RESISTOR: 22 kΩ; 5%; 250 mW	C18	CAPACITOR: 22 μF; 16 V
R23	RESISTOR: 93.1 kΩ; 1%; TYPE RN550	C19	CAPACITOR: 1 μF; 50 V
R24	POTENTIOMETER: 20 kΩ; 1 TURN; VERNITRON	C20	CAPACITOR: 47 μF; 16 V
R26	RESISTOR: 56 kΩ; 5%; 250 mW	C22	CAPACITOR: 68 nF; 100 V
R28, 35, 42	RESISTOR: 4.7 kΩ; 5%; 250 mW	C24	CAPACITOR: 100 μF; 16 V
R33, 38, 40	RESISTOR: 10 kΩ; 5%; 250 mW	CR8	DIODE: 1N4148 OR 1N914
R34	RESISTOR: 150 Ω; 5%; 250 mW	CR9	OP-AMP: RC4558; LOW NOISE DUAL
R39	RESISTOR: 300 Ω; 5%; 250 mW	IC1	OP-AMP: NE5534N; LOW NOISE SIGNAL
R41	RESISTOR: 33 kΩ; 5%; 250 mW	IC2	OP-AMP: LM324N; QUAD
		IC5	TIMER: 555
		Q1	TRANSISTOR: 2N2222A; NPN



REV. NO. DESCRIPTION

P/N: 1067F

STEARNS MAGNETICS

A SUBSIDIARY OF PEERLESS-WINSMITH, INC.
MAPLE HEIGHTS, OHIO

RECEIVER CARD SCHEMATIC WITH PARTS LIST

NOTICE
THIS DRAWING IS OUR PROPERTY. ALL RIGHTS OF DESIGN OR INVENTION ARE RESERVED.
MAKING REPRODUCTIONS OF THIS DRAWING WITHOUT OUR WRITTEN PERMISSION IS PROHIBITED.
NOT RECOMMENDED FOR USE IN MILITARY, AEROSPACE, OR OTHER CRITICAL APPLICATIONS.

SERIAL NO.	APPROVED	DATE	28 OCT 2002
BY JPS			
DWG. NO.	B 110 06 02	SCALE	
			442