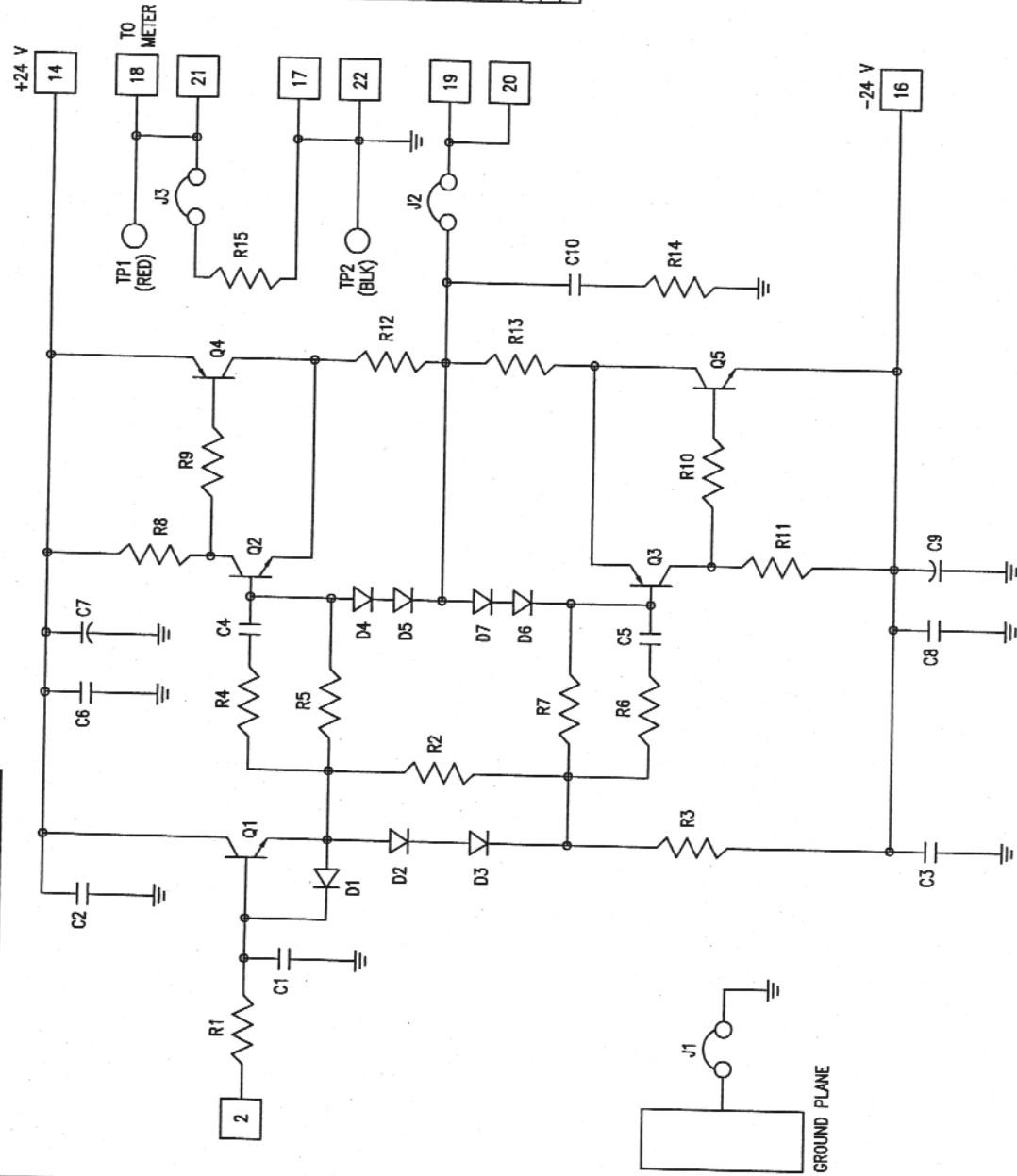


944 202 06 111 8 DWG. NO. 446



PART	DESCRIPTION
C1, C10	CAPACITOR: 330 pF, 1000 V-dc
C2, C3, C6, C8	CAPACITOR: 100 nF, 25 V
C4, C5	CAPACITOR: 50 pF, 100 V
C7, C9	CAPACITOR: 100 μF, 50 V-dc; ELECTROLYTIC
D1 - D7	DIODE: 1N4148
R1	RESISTOR: 4.7 kΩ; 250 mW; 5 %
R2	RESISTOR: 680 Ω; 250 mW; 5 %
R3	RESISTOR: 6.8 kΩ; 500 mW; 5 %
R4, R6, R9, R10, R14	RESISTOR: 100 Ω; 250 mW; 5 %
R5, R7	RESISTOR: 3.0 kΩ; 250 mW; 5 %
R8, R11	RESISTOR: 150 Ω; 250 mW; 5 %
R12, R13, R15	RESISTOR: 1 Ω; 500 mW; 5 %
Q1	TRANSISTOR: 2N3904; NPN
Q2	TRANSISTOR: 2N2222; NPN
Q3	TRANSISTOR: 2N2907A; PNP
Q4	TRANSISTOR: 2N6109; PNP
Q5	TRANSISTOR: 2N6290; NPN

REV. NO. _____ DESCRIPTION

P/N: 1064F

STEARNS MAGNETICS
 A SUBSIDIARY OF PEERLESS-WINSMITH, INC.
 MAPLE HEIGHTS, OHIO

OUTPUT BOARD SCHEMATIC WITH PARTS LIST

NOTICE
 THIS DRAWING IN DESIGN AND DETAIL IS OUR PROPERTY. ALL RIGHTS OF DESIGN OR INVENTION ARE RESERVED.
 DIMENSIONS TOLERANCES EXCEPT AS SPECIFIED
 HOLE DRILLING: 1/16" MIN. FRACTIONAL, 1/32" MIN. DECIMAL, 1/16" MIN. FRACTIONAL, 1/32" MIN. DECIMAL, 1/16" MIN. FRACTIONAL, 1/32" MIN. DECIMAL

BY JFS APPROVED DATE 24 OCT 2002
 SERIAL NO. _____ SCALE _____
 DWG. NO. B 110 06 02 446
 REC. _____