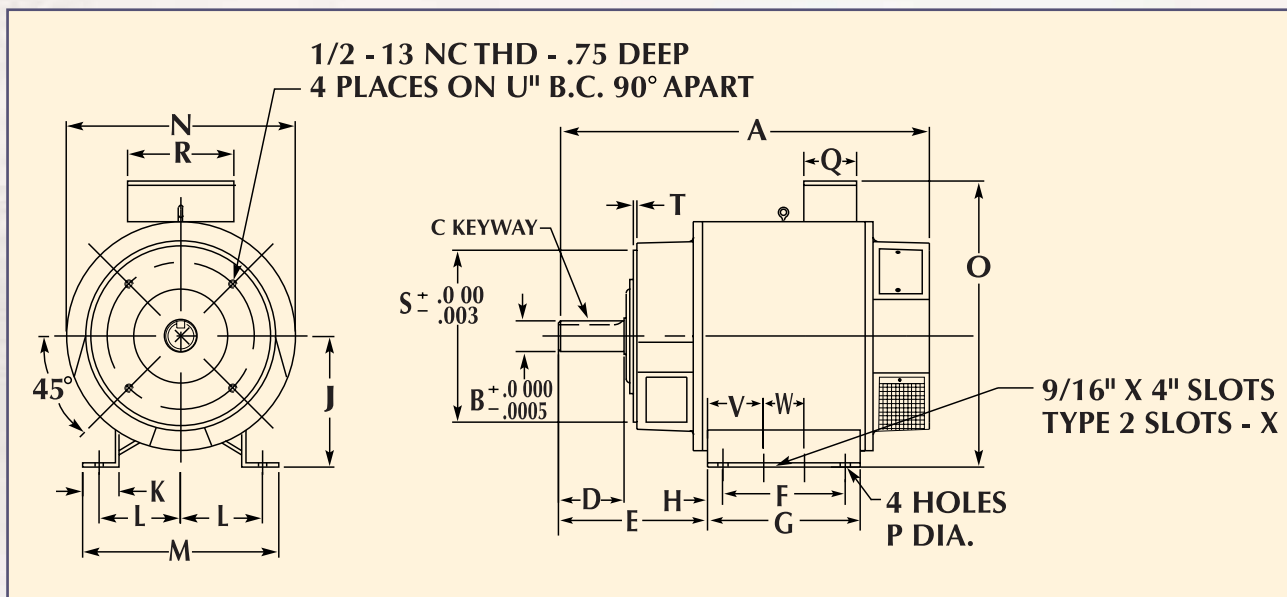


OPTH Power Take-off Generators

5 to 33 KW, 230 VDC Models

Designed for Belt or Hydraulic Motor Drive



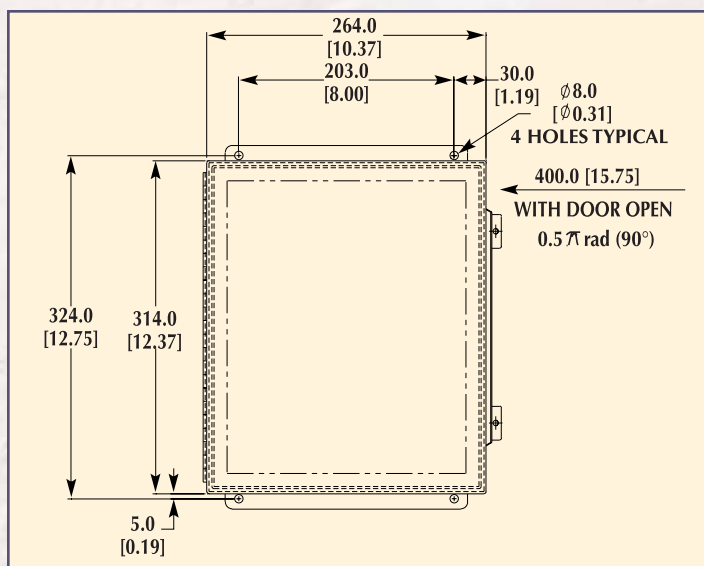
TECHNICAL SPECIFICATIONS - Dimensions (inches)*

Model	KW	RPM	A	B	C	D	E	F	G	H	J	K	L	M	N	O	P	Q	R	S	T	U	V	W	X	Approx. Weight/Lbs.
OPTH5-25	5	2,500	16 1/2	1	1/4 x 1/8	2 1/4	N/A	7 7/16	N/A	N/A	6 9/32	N/A	3 5/8	8 3/4	10 3/4	16	17/32	4 1/4	4 1/4	10 1/2	1/4	9	OMIT	OMIT	OMIT	170
OPTH10-25	10	2,500	19 7/8	1 1/4	1/4 x 1/8	3 1/2	7 1/16	5 1/2	7	3/4	6 3/4	2	4 1/2	10 1/8	12	15 9/16	3/16	4 1/4	4 1/4	8 1/2	1/4	7 1/4	OMIT	OMIT	OMIT	175
OPTH15-18	15	1,800	24 3/8	1 5/8	3/8 x 3/16	4	8 9/16	4 1/2	10	3/4	8	2 1/2	5 1/2	12 3/4	14	18 3/16	9/16	4 1/4	4 1/4	10 1/2	1/4	9	3 1/4	3 1/2	SLOT	290
OPTH20-18	20	1,800	26 3/8	1 5/8	3/8 x 3/16	4	8 9/16	6	10	3/4	8	2 1/2	5 1/2	12 3/4	14	18 3/16	9/16	4 1/2	6 1/2	10 1/2	1/4	9	3 1/4	3 1/2	SLOT	345
OPTH25-18	25	1,800	28 3/8	1 5/8	1/2 x 1/4	4	8 9/16	6	10	3/4	8	2 1/2	5 1/2	12 3/4	14	18 3/16	9/16	4 1/2	6 1/2	10 1/2	1/4	9	3 1/4	3 1/2	SLOT	410
OPTH33-18	33	1,800	31 11/16	2	1/2 x 1/4	5	10 3/4	11	13	1	8 1/2	3	6 1/2	14 3/4	15 3/4	20 1/2	11/16	4 1/2	6 1/2	12 1/2	3/8	11*	3 1/4	3 1/2	SLOT	570

* 5/8 - 11 NC THD- .875" DEEP

Ammeter, Voltmeter, Slide Resistors in Separate Enclosure

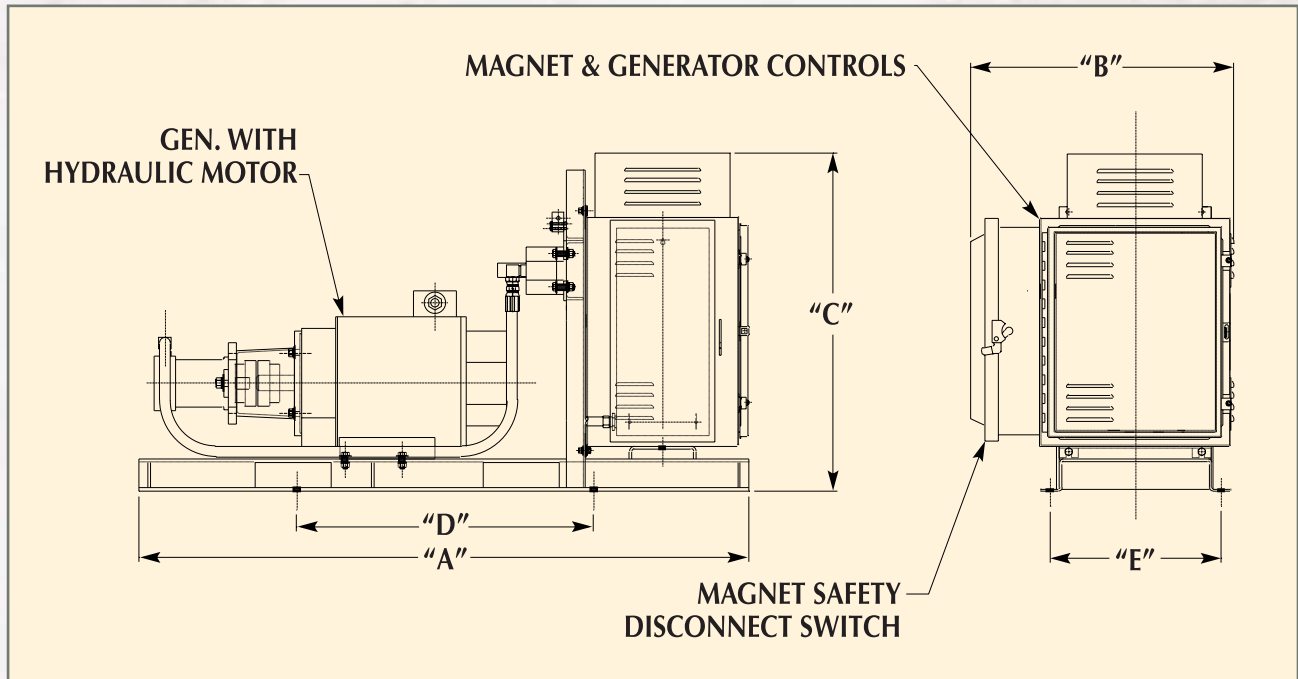
- Required for use with all Ohio Generators
- Hydraulic components available
- Contact Ohio Magnetics for application information



Hydra-Mag Package

Standard Features

- Available in sizes: 5 KW - 25 KW
- Self contained & frame mounted
- Includes all hydraulic controls with integrated single manifold
- Complete with all magnet controls
- Operates on 12 or 24 VDC
- Ready to mount and operate on delivery



TECHNICAL SPECIFICATIONS

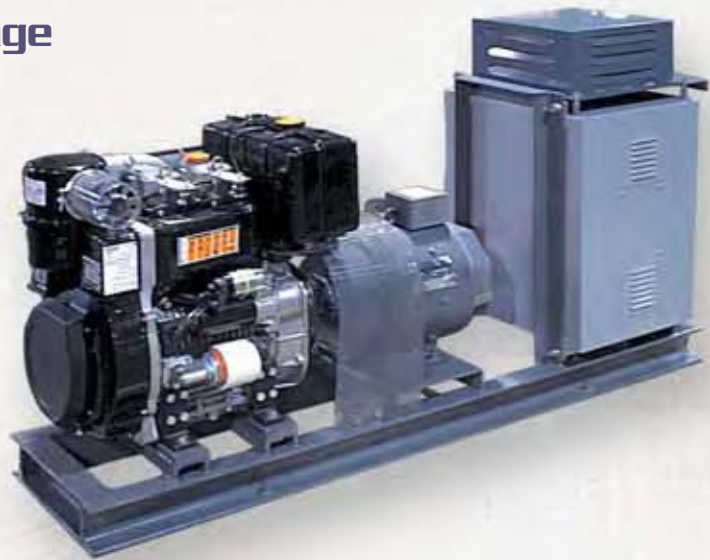
Generator Size	Dimensions (in inches)					Disconnect Size	Controller Size	Required Pressure & Flow from Pump*	Shipping Weight
	A	B	C	D	E				
5 KW	43.00	28.75	28.75	20.94	18.00	30 Amp	CDS	12 GPM @ 2368 PSI	450
10 KW	50.69	24.50	34.14	31.00	14.00	60 Amp	MC-1A	31 GPM @ 1338 PSI	575
15 KW	60.25	27.62	35.63	29.25	18.00	100 Amp	MC-1A	32 GPM @ 1803 PSI	725
20 KW	62.25	27.62	36.63	31.25	18.00	100 Amp	MC-1A	32 GPM @ 2304 PSI	775
25 KW	64.25	27.62	35.63	33.25	18.00	200 Amp	MC-1.5A	32 GPM @ 2805 PSI	875

* Ohio Magnetics recommends the use of a dedicated pump with these units to maintain the proper pressure and flow requirements throughout your excavator.

Diesel Engine Power Package

Standard Features

- Available in sizes: 5 KW - 33 KW
- Self contained & frame mounted
- Operates on 12 VDC
- Available with or without all magnet controls
- Ready to mount and operate on delivery
- Also available with gasoline driven engine in select sizes



TECHNICAL SPECIFICATIONS (No Magnet Controls)

Generator Size	Dimensions (in inches)					Hole (dia.) F	Controller Size	Disconnect Size	Unit Weight
	A	B	C	D	E				
5 KW	37.31	20.50	23.00	26.50	12.50	0.69	N/A	N/A	525
10 KW	50.25	23.50	35.00	42.00	14.63	0.69	N/A	N/A	800
15 KW	60.00	26.50	38.50	48.50	14.63	0.69	N/A	N/A	1,150
20 KW	60.00	26.50	38.50	48.50	14.63	0.69	N/A	N/A	1,200
25 KW	60.00	26.50	38.50	48.50	14.63	0.69	N/A	N/A	1,275
33 KW	72.00	26.50	39.00	48.50	14.63	0.69	N/A	N/A	1,400

TECHNICAL SPECIFICATIONS (with Magnet Controls)

Generator Size	Dimensions (in inches)					Hole (dia.) F	Controller Size	Disconnect Size	Unit Weight
	A	B	C	D	E				
5 KW	50.25	28.75	32.13	30.25	14.44	0.81	CDS	30 Amp	750
10 KW	70.00	24.00	39.00	53.00	17.00	0.75	MC-1A	60 Amp	1,025
15 KW	81.00	27.38	39.50	61.00	17.00	0.81	MC-1A	100 Amp	1,375
20 KW	81.00	27.38	39.50	61.00	17.00	0.81	MC-1A	100 Amp	1,425
25 KW	88.63	27.38	39.50	64.00	17.00	0.81	MC-1.5A	200 Amp	1,500
33 KW	92.63	28.38	40.50	68.00	17.00	0.81	MC-2A	200 Amp	1,625