

Ohio Duty Cycle Magnet Controllers

GENERAL INFORMATION

Automatic Drop

OHIO Controllers are standard with this feature. One movement of the master lever control switch or pushbutton to the Drop position and the controller will automatically sense the exact amount of reverse current required to drop the load off the magnet. Once the magnet is clean of ferrous metal another operation may begin.

Manual Drop

OHIO Controllers are available in an optional manually controlled version. This allows the operator to precisely control the length of time required to fully clean the magnet of ferrous metal by holding the lever or pushbutton in the Drop position. Once the magnet is clean of ferrous metal another operation may begin. This feature is used when the dribbling of scrap is desired by moving the master lever switch to the OFF position. This allows the magnetism to slowly dissipate through the discharge resistors. When the operator desires to fully release the load, simply move the switch to the Drop position and hold it there until the magnet is clean. The master lever switch will automatically return to the OFF position when manually released.

Mounting Position

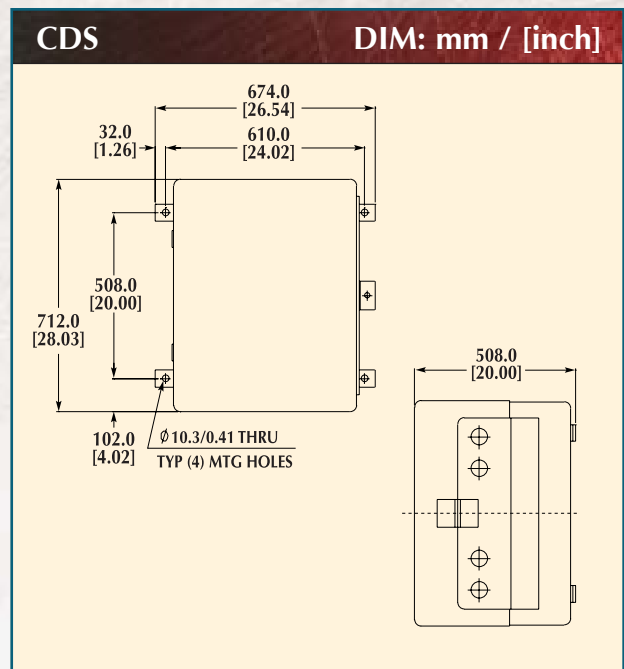
All OHIO Controllers are to be wall mounted in the vertical "UP" position. Standard enclosures are NOT weather proof. Select a location which avoids excessive moisture, oil and dirt.

Model CDS

- Operating range 5 - 20 amps DC (automatic drop model)
- Operating range 1 - 20 amps DC (manual drop model)
- 230 VDC standard, 115 VDC available upon request
- Mechanical interlock prevents overheating

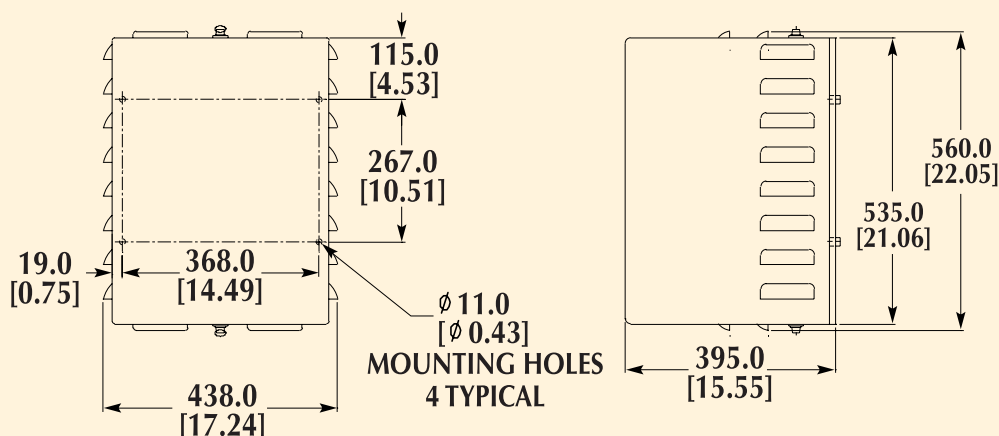
Model RD-1W

- Wide operating range of 20 - 100 amps DC
- Small enclosure dimensions
- Adjustable drop potentiometer
- 230 VDC standard, 115 VDC available upon request



RD-1W CONTROLLER

DIM: mm / [inch]



370 mm / 14.5 in CLEARANCE NEEDED FOR COVER REMOVAL

Ohio Duty Cycle Magnet Controllers

GENERAL INFORMATION

Model MC-1A

- Wide operating range of 20 - 100 amps DC
- Adjustable drop potentiometer
- 230 VDC standard, 115VDC available upon request
- Mechanical interlock prevents resistor overheating
- Separate resistor bank compartment prevents damage to front wiring and components

Model MC-1.5A

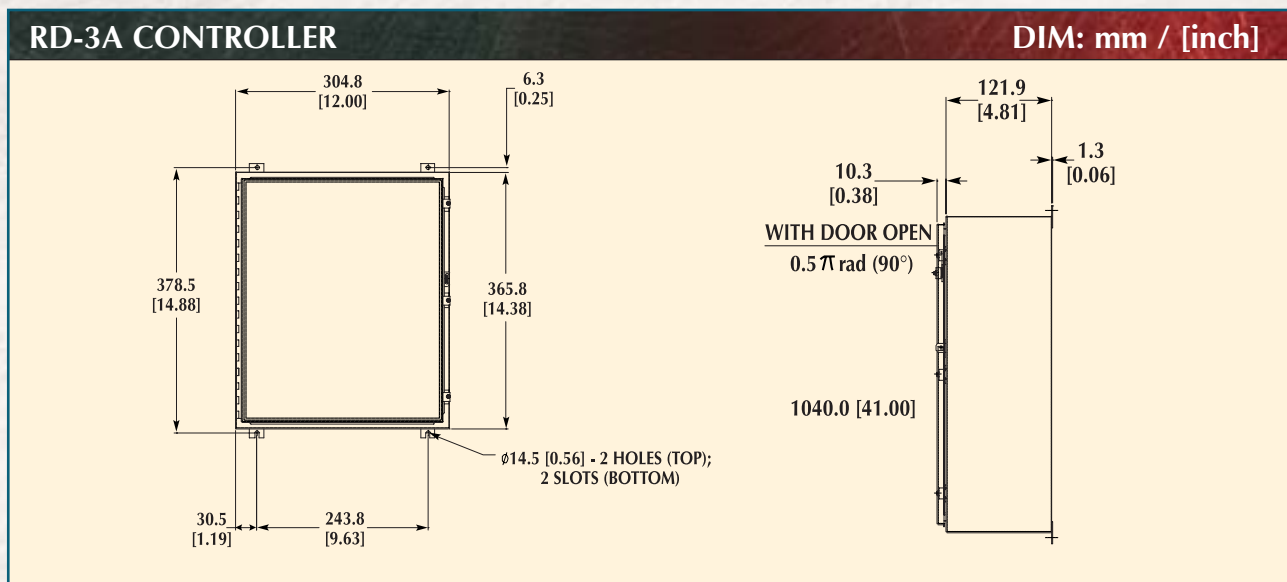
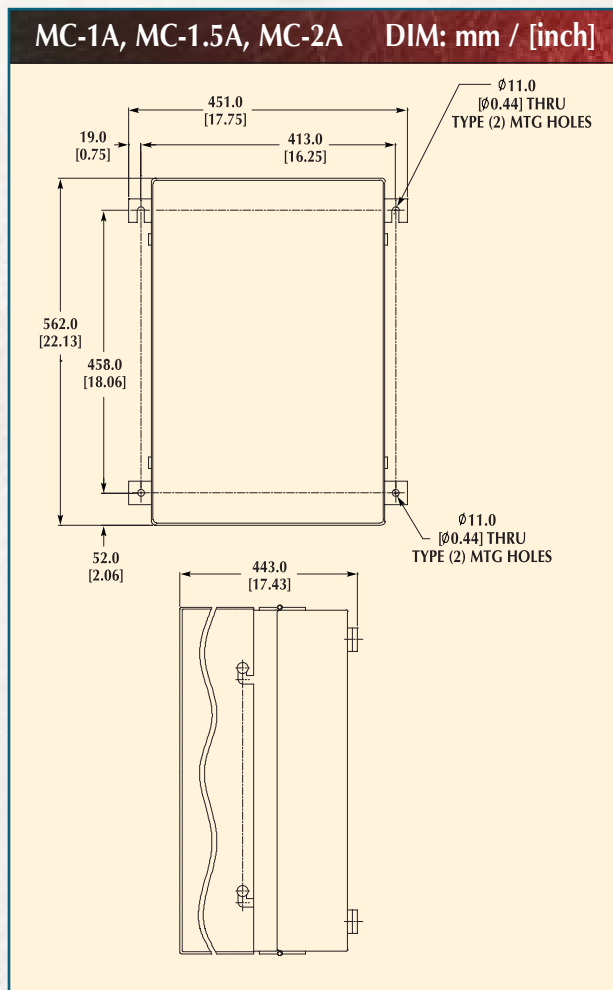
- Wide operating range of 65 - 130 amps DC
- Adjustable drop rheostat
- 230 VDC standard, 115VDC available upon request
- Mechanical interlock prevents resistor overheating
- Separate resistor bank compartment prevents damage to front wiring and components

Model MC-2A

- Operating range of 100 - 150 amps DC
- Adjustable drop rheostat
- Mechanical interlock prevents resistor overheating
- Separate resistor bank compartment prevents damage to front wiring and components

Model RD-3A

- Operating range of 100 - 200 amps DC
- Adjustable drop timer relays
- 230 VDC standard, 115VDC available upon request
- Mechanical interlock prevents resistor overheating
- Separate resistor bank enclosure



Ohio Duty Cycle Magnet Controllers