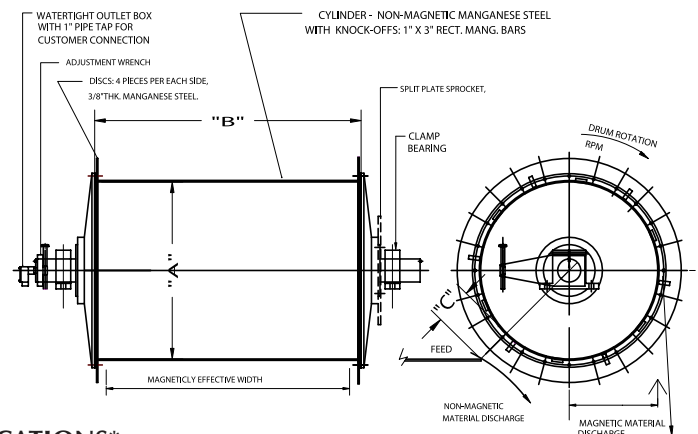


STEARNS ALTERNATING POLE DRUM MAGNETS



Separate More With *Stearns*



- Heavy Duty Construction
- Standard or Super Field Design
- Maximum Ferrous Recovery
- Cleaner Product/ Improved Value

The high performance Stearns electromagnetic **Alternating Pole LD Drum Separator** offers you a uniform, magnetic field across the full working width of the drum. It provides you with maximum efficiency, less cylinder wear and reduced downtime. Opposing north and south poles create a vigorous agitation for superior liberation of non-ferrous waste and provide a cleaner, less contaminated product.

TECHNICAL SPECIFICATIONS*

Model LDA	Dia. "A" Inches	Width "B" Inches	Susp. Hts. "C" Inches	Drum Speed, RPM	Power, Watts	Weight, Lbs. Approx.
48 x 60	48	60	9-10	30	5,600	10,500
48 x 72	48	72	9-10	30	8,200	12,000
48 x 84	48	84	9-10	30	10,000	13,700
48 x 96	48	96	9-10	30	12,500	15,200
60 x 72	60	72	10-12	25	12,500	16,000
60 x 84	60	84	10-12	25	13,500	18,500
60 x 96	60	96	10-12	25	16,000	22,000

* Consult factory for additional sizes.

Lift More With OHIO MAGNETICS, INC.

Visit our websites at:
www.ohiomagnetics.com
www.stearnsmagnetics.com



New Product!

HYDRA-MAG PACKAGE

- Available in Sizes: 5-25KW
- Self-contained, Frame Mounted
- Operates on 12 or 24 VDC
- Includes all Hydraulic Controls—with Integrated Single Manifold
- Includes Magnet Controls
- Ready to Install and Operate on Delivery



New Model!

67 SUPER LOADSTAR

- Rugged Case Construction
- Greater Lifting Capacity
- Cooler Operating Temperature for Extended Service Life



OHIO MAGNETICS, INC.

SUBSIDIARY OF PEERLESS-WINSMITH, INC.

5400 Dunham Road • Maple Heights, OH 44137-3687 • 800/486-OHIO
 Phone: 216/662-8484 • Fax: 216/662-2911 • E-mail: sales@ohiomagnetics.com



OM-19370 Printed in U.S.A.